



DEPARTMENT OF REGULATORY AND ECONOMIC RESOURCES (RER)
BOARD AND CODE ADMINISTRATION DIVISION

MIAMI-DADE COUNTY
PRODUCT CONTROL SECTION
11805 SW 26 Street, Room 208
Miami, Florida 33175-2474
T (786) 315-2590 F (786) 315-2599

NOTICE OF ACCEPTANCE (NOA)

www.miamidade.gov/economy

V-Tech Industries, L.P.
5534 Harvey Wilson Drive
Houston, TX 77020

SCOPE:

This NOA is being issued under the applicable rules and regulations governing the use of construction materials. The documentation submitted has been reviewed and accepted by Miami-Dade County RER-Product Control Section to be used in Miami Dade County and other areas where allowed by the Authority Having Jurisdiction (AHJ).

This NOA shall not be valid after the expiration date stated below. The Miami-Dade County Product Control Section (In Miami Dade County) and/or the AHJ (in areas other than Miami Dade County) reserve the right to have this product or material tested for quality assurance purposes. If this product or material fails to perform in the accepted manner, the manufacturer will incur the expense of such testing and the AHJ may immediately revoke, modify, or suspend the use of such product or material within their jurisdiction. RER reserves the right to revoke this acceptance if it is determined by Miami-Dade County Product Control Section that this product or material fails to meet the requirements of the applicable building code.

This product is approved as described herein and has been designed to comply with the Florida Building Code, including the High Velocity Hurricane Zone.

DESCRIPTION: Series SSF, CAP and CMC Plastic Frame Skylights

APPROVAL DOCUMENT: Drawing No. 23-063, titled "Series Seamless Self-Flashing Glazed Skylight (SSF) and Series Curb-Mounted Glazed Skylight (CAP) and Series Curb-Mounted Glazed Skylight (CMC), L.M.I. Resistant-Insulated Glass", sheets 1 through 8 of 8 (including 7A), dated 07/03/2023, prepared by Tilteco, Inc., signed and sealed by Walter A. Tillit, Jr., P.E., on 07/05/2023, bearing the Miami-Dade County Product Control revision stamp with the Notice of Acceptance number and the expiration date by the Miami-Dade County Product Control Section.

MISSILE IMPACT RATING: Large and Small Missile Impact Resistant

LABELING: Each unit shall bear a permanent label with the manufacturer's name or logo, city, state, model/series, and following statement: "Miami-Dade County Product Control Approved", unless otherwise noted herein.

RENEWAL of this NOA shall be considered after a renewal application has been filed and there has been no change in the applicable building code negatively affecting the performance of this product.

TERMINATION of this NOA will occur after the expiration date or if there has been a revision or change in the materials, use, and/or manufacture of the product or process. Misuse of this NOA as an endorsement of any product, for sales, advertising or any other purposes shall automatically terminate this NOA. Failure to comply with any section of this NOA shall be cause for termination and removal of NOA.

ADVERTISEMENT: The NOA number preceded by the words Miami-Dade County, Florida, and followed by the expiration date may be displayed in advertising literature. If any portion of the NOA is displayed, then it shall be done in its entirety.

INSPECTION: A copy of this entire NOA shall be provided to the user by the manufacturer or its distributors and shall be available for inspection at the job site at the request of the Building Official.

This NOA revises NOA #20-0811.22 and consists of this page 1 and evidence pages E-1, E-2, E-3, E-4 and E-5, as well as approval document mentioned above.

The submitted documentation was reviewed by **Helmy A. Makar, P.E., M.S.**



Helmy A. Makar
12/28/2023

NOA No. 23-0726.06
Expiration Date: 06/10/2024
Approval Date: 12/28/2023

NOTICE OF ACCEPTANCE: EVIDENCE SUBMITTED

A. DRAWINGS

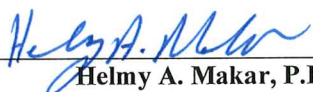
1. Drawing No. **15-019**, titled "Series Seamless Self-Flashing Glazed Skylight (SSF) and Series Curb-Mounted Glazed Skylight (CAP) and Series Curb-Mounted Glazed Skylight (CMC), L.M.I. Resistant-Insulated Glass", Sheets 1 through 8 of 8 (including 7A), dated 03/24/2015, prepared by Tilteco, Inc., signed and sealed by Walter A. Tillit, Jr., P.E.

B. TESTS "*Submitted under NOA # 10-1004.03*"

1. Test reports on 1) Air Infiltration Test, per FBC, TAS 202-94
2) Uniform Static Air Pressure Test, Loading per FBC TAS 202-94
3) Water Resistance Test, per FBC, TAS 202-94
4) Large Missile Impact Test per FBC, TAS 201-94
5) Cyclic Wind Pressure Loading per FBC, TAS 203-94
along with marked-up drawings and installation diagram of Series/Models 4 x 4 (CMC) Hurricane glass skylights, prepared by Architectural Testing, Inc., Test Reports No. **92239.04-801-18** (Rev. 1) and **92239.05-801-18**, both dated 09/28/2010 and signed and sealed by Joseph A. Reed, P.E.
2. Test report on Tensile Strength of Plastics per ASTM D638-03 before and after weathering for 4500 hrs per ASTM G 155-00, prepared by ETC Laboratories, Test Report No. **ETC-08-1146-21854.1**, dated 07/14/2009, signed and sealed by Joseph L. Doldan, P.E. "*Submitted under NOA # 09-0929.06*"

"Submitted under NOA # 09-0316.03"

3. Test reports on 1) Air Infiltration Test, per FBC, TAS 202-94
2) Uniform Static Air Pressure Test, Loading per FBC TAS 202-94
3) Water Resistance Test, per FBC, TAS 202-94
4) Large Missile Impact Test per FBC, TAS 201-94
5) Cyclic Wind Pressure Loading per FBC, TAS 203-94
along with marked-up drawings and installation diagram of Series Seamless Self-Flashing Glazed Skylight (SSF) and Series Curb-Mounted Glazed Skylight (CAP), prepared by Fenestration Testing Laboratory, Inc., Test Report No. **FTL # 5477**, dated 02/05/2008, signed and sealed by Carlos S. Rionda, P.E.
4. Test reports on 1) Air Infiltration Test, per FBC, TAS 202-94
2) Uniform Static Air Pressure Test, Loading per FBC TAS 202-94
3) Water Resistance Test, per FBC, TAS 202-94
4) Large Missile Impact Test per FBC, TAS 201-94
5) Cyclic Wind Pressure Loading per FBC, TAS 203-94
along with marked-up drawings and installation diagram of Series Curb-Mounted Glazed Skylight (CAP), prepared by Fenestration Testing Laboratory, Inc., Test Report No. **FTL # 4971**, dated 12/28/2006, signed and sealed by Michael Wenzel, P.E.
5. Test report on Tensile Strength of Plastics per ASTM D638-03 before and after weathering for per ASTM G 155-00, prepared by ETC Laboratories, Test Report No. **ETC-08-1146-21854.0**, dated 01/13/2009, signed and sealed by Joseph L. Doldan, P.E.



Helmy A. Makar, P.E., M.S.
Product Control Section Supervisor
NOA No. 23-0726.06
Expiration Date: 06/10/2024
Approval Date: 12/28/2023

NOTICE OF ACCEPTANCE: EVIDENCE SUBMITTED

B. TESTS (Cont.) “Submitted under NOA # 09-0316.03”

6. Test report on Ignition Properties of Plastics per ASTM D1929-01, prepared by Omega Point Laboratories, Test Report No. **17172-123928**, dated 03/03/2005, signed by William E. Fitch, P.E.
7. Test report on Density of Smoke from the Burning or Decomposition of Plastics per ASTM D2843-99, prepared by Omega Point Laboratories, Test Report No. **17172-123931**, dated 03/21/2005, signed by William E. Fitch, P.E.
8. Test report on Rate of Burning and/or Extent and Time of Burning of Plastics in a Horizontal Position of White, Beige and Grey Plaques per ASTM D635-98, prepared by Ghesquiere Plastic Testing, Inc., Test Report No. **0502-65284**, dated 03/02/2005, signed by M. W. Ghesquiere, P.E. “Submitted under NOA # 09-0316.03”

C. CALCULATIONS

“Submitted under NOA # 10-1004.03”

1. Anchor calculations, prepared by Tilteco, Inc., dated 09/28/2010, signed and sealed by Walter A. Tillit, Jr., P.E.
- “Submitted under NOA # 09-0316.03”*
2. Anchor calculations, prepared by Tilteco, Inc., dated 04/22/2008, signed and sealed by Walter A. Tillit, Jr., P.E.


D. QUALITY ASSURANCE

1. Miami-Dade Department of Regulatory and Economic Resources (RER)

E. MATERIAL CERTIFICATIONS

“Submitted under NOA # 09-0316.03”

1. Test report on Fire Resistance of Roof Covering Materials of Curb Mounted Glass Skylight with Plastic Frame per ICC-ES, AC-16 (Class B), prepared by Ramtech Laboratories, Test Report No. **2092-07-07**, dated 03/31/2008, signed by Steven Berggren.
2. Test report on Tensile and Shear Test of #10 x 1-1/2” Phillips Sheet Metal Screws on Wood through Plastic per ASTM D412, prepared by Fenestration Testing Laboratory, Inc., dated 04/28/2008, signed and sealed by Michael Wenzel, P.E.
3. Notice of Acceptance No. **05-1208.02**, issued to E.I. DuPont de Nemours & Co., Inc., for their DuPont Butacite PVB Interlayer, approved on 01/05/2006 and expiring on 12/11/2010.
4. Material Safety Data Sheets of **EFBond DW 646** and **EFBond DV 930**.
5. Technical Data Sheet of **Color-Fast LM150/100 Arch System**.



Helmy A. Makar, P.E., M.S.
Product Control Section Supervisor
NOA No. 23-0726.06
Expiration Date: 06/10/2024
Approval Date: 12/28/2023

NOTICE OF ACCEPTANCE: EVIDENCE SUBMITTED

F. STATEMENTS

1. Statement letter of code conformance to the 5th edition (2014) FBC issued by Tilteco, Inc., dated 04/07/2015, signed and sealed by Walter A. Tillit, Jr., P.E.

“Submitted under NOA # 14-0605.13”
2. Statement letter of code conformance to 2010 FBC issued by Tilteco, Inc., dated 06/03/2014, signed and sealed by Walter A. Tillit, Jr., P.E.

“Submitted under NOA # 09-0316.03”
3. No financial interest letter issued by Tilteco, Inc., dated 02/19/2009, signed and sealed by Walter A. Tillit, Jr., P.E.

EVIDENCE SUBMITTED UNDER PREVIOUS APPROVAL #17-0823.05

A. DRAWINGS

1. *Drawing No. 17-134, titled “Series Seamless Self-Flashing Glazed Skylight (SSF) and Series Curb-Mounted Glazed Skylight (CAP) and Series Curb-Mounted Glazed Skylight (CMC), L.M.I. Resistant-Insulated Glass”, sheets 1 through 8 of 8 (including 7A), dated 08/02/2017, prepared by Tilteco, Inc., signed and sealed by Walter A. Tillit, Jr., P.E.*

B. TESTS

1. *None.*

C. CALCULATIONS

1. *None.*

D. QUALITY ASSURANCE

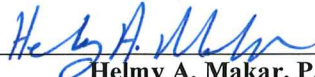
1. *By Miami-Dade County Department of Regulatory and Economic Resources (RER).*

E. MATERIAL CERTIFICATIONS

1. *None.*

F. STATEMENTS

1. *Statement letter of code conformance to the 5th edition (2014) FBC and 6th edition (2017) issued by Tilteco, Inc., dated 08/03/2017, signed and sealed by Walter A. Tillit, Jr., P.E.*



Helmy A. Makar, P.E., M.S.
Product Control Section Supervisor
NOA No. 23-0726.06
Expiration Date: 06/10/2024
Approval Date: 12/28/2023

V-Tech Industries, L.P.

NOTICE OF ACCEPTANCE: EVIDENCE SUBMITTED

EVIDENCE SUBMITTED UNDER PREVIOUS APPROVAL #19-0306.05

A. DRAWINGS

1. *None.*

B. TESTS

1. *None.*

C. CALCULATIONS

1. *None.*

D. QUALITY ASSURANCE

1. *By Miami-Dade County Department of Regulatory and Economic Resources (RER).*

E. MATERIAL CERTIFICATIONS

1. *None.*

F. STATEMENTS

1. *Statement letter of code conformance to the FBC, 6th edition (2017) issued by Tilteco, Inc., dated 03/05/2019, signed and sealed by Walter A. Tillit, Jr., P.E.*

EVIDENCE SUBMITTED UNDER PREVIOUS APPROVAL #20-0811.22

A. DRAWINGS

1. *Drawing No. 20-139, titled "Series Seamless Self-Flashing Glazed Skylight (SSF) and Series Curb-Mounted Glazed Skylight (CAP) and Series Curb-Mounted Glazed Skylight (CMC), L.M.I. Resistant-Insulated Glass", sheets 1 through 8 of 8 (including 7A), dated 06/25/2020, prepared by Tilteco, Inc., signed and sealed by Walter A. Tillit, Jr., P.E., on 07/02/2020.*

B. TESTS

1. *None.*

C. CALCULATIONS

1. *None.*

D. QUALITY ASSURANCE

1. *By Miami-Dade County Department of Regulatory and Economic Resources (RER).*

E. MATERIAL CERTIFICATIONS

1. *None.*

F. STATEMENTS

1. *Statement letter of code conformance to the FBC, 7th edition (2020) issued by Tilteco, Inc., dated 07/02/2020, signed and sealed by Walter A. Tillit, Jr., P.E.*



Helmy A. Makar, P.E., M.S.
Product Control Section Supervisor
NOA No. 23-0726.06
Expiration Date: 06/10/2024
Approval Date: 12/28/2023

NOTICE OF ACCEPTANCE: EVIDENCE SUBMITTED

NEW EVIDENCE SUBMITTED

A. DRAWINGS

1. *Drawing No. 23-063, titled "Series Seamless Self-Flashing Glazed Skylight (SSF) and Series Curb-Mounted Glazed Skylight (CAP) and Series Curb-Mounted Glazed Skylight (CMC), L.M.I. Resistant-Insulated Glass", sheets 1 through 8 of 8 (including 7A), dated 07/03/2023, prepared by Tilteco, Inc., signed and sealed by Walter A. Tillit, Jr., P.E., on 07/05/2023.*

B. TESTS

1. *None.*

C. CALCULATIONS

1. *None.*

D. QUALITY ASSURANCE


1. *By Miami-Dade County Department of Regulatory and Economic Resources (RER).*

E. MATERIAL CERTIFICATIONS

1. *None.*

F. STATEMENTS

1. *Statement letter of code conformance to the FBC, 8th edition (2023) issued by Tilteco, Inc., dated 07/03/2023, signed and sealed by Walter A. Tillit, Jr., P.E.*



Helmy A. Makar, P.E., M.S.
Product Control Section Supervisor
NOA No. 23-0726.06
Expiration Date: 06/10/2024
Approval Date: 12/28/2023

GENERAL NOTES:

1. SERIES SEAMLESS SELF-FLASHING GLAZED SKYLIGHT (SSF) AND SERIES CURB-MOUNTED GLAZED SKYLIGHTS (CAP) & (CMC), LARGE MISSILE IMPACT RESISTANT-INSULATED GLASS SHOWN ON THIS PRODUCT APPROVAL DOCUMENT (P.A.D.) HAVE BEEN VERIFIED FOR COMPLIANCE IN ACCORDANCE WITH THE **2023 (8th EDITION) AND 2020 (7TH EDITION) OF THE FLORIDA BUILDING CODE**. SKYLIGHTS MAY BE INSTALLED AT HIGH VELOCITY HURRICANE ZONES (MIAMI-DADE/BROWARD COUNTIES). DESIGN WIND LOADS SHALL BE DETERMINED AS PER SECTION 1620 OF THE ABOVE MENTIONED CODES, USING **ASCE 7-22(FBC 2023) AND ASCE 7-16(FBC 2020)** AND SHALL NOT EXCEED THE MAXIMUM (A.S.D.) DESIGN PRESSURE RATINGS INDICATED ON NOTE 2. IN ORDER TO VERIFY THE ABOVE CONDITION, ULTIMATE DESIGN WIND LOADS DETERMINED PER **ASCE 7-22 OR ASCE 7-16** SHALL BE FIRST REDUCED TO A.S.D. DESIGN WIND LOADS BY MULTIPLYING THEM BY 0.6 IN ORDER TO COMPARE THESE W/ MAX. (A.S.D) DESIGN PRESSURE RATINGS INDICATED ON NOTE 2. IN ORDER TO VERIFY THAT ANCHORS ON THIS P.A.D., AS TESTED, WERE NOT OVERSTRESSED, NO INCREASE IN ALLOWABLE STRESS FOR WIND LOADS WAS USED IN THEIR ANALYSIS, PERFORMED PER SECTION 1616 OF THE FLORIDA BUILDING CODE.

SKYLIGHT'S ADEQUACY FOR IMPACT AND WIND RESISTANCE HAS BEEN VERIFIED IN ACCORDANCE WITH SECTION 1626 OF THE ABOVE MENTIONED CODES AS PER PROTOCOLS TAS-201, TAS-202, TAS-203, PER FENESTRATION TESTING LABORATORY LAB REPORTS # 4971 (FOR CAP) & 5477 (FOR SSF) AND PER ARCHITECTURAL TESTING LABORATORY REPORT # 92239.04-801-18 (FOR CMC) AND PER A.S.T.M. STANDARDS AND F.B.C. SECTIONS INDICATED ON SCHEDULE SHOWN ON THIS SHEET, PER TESTING PERFORMED BY OMEGA POINT SERVICES, GHESQUIERE PLASTIC TESTING, INC., ETC LABORATORIES, RAMTECH, ATLAS WEATHERING SERVICES GROUP DSET AND RECTICEL NORTH AMERICA LABORATORIES.

2. MAXIMUM A.S.D. DESIGN PRESSURE RATING FOR THESE SKYLIGHTS ARE:

SKYLIGHT SYSTEM	A.S.D. DESIGN PRESSURE RATING
SSF/CAP	±75.0 psf
CMC	±55.0 psf

3. THIS SKYLIGHT WILL NOT REQUIRE A HURRICANE PROTECTION DEVICE.
4. THIS SKYLIGHT IS ALSO APPROVED FOR AIR AND WATER INFILTRATION.
5. REMAINING COMPONENTS FOR THESE SKYLIGHTS SHALL BE AS INDICATED ON BILL OF MATERIALS, SHEET 2 OF THIS DRAWING.
6. SKYLIGHTS COMPLIES WITH SECTIONS 2415 & 2615 OF THE FLORIDA BUILDING CODE.
7. SKYLIGHT'S FRAME CORRESPOND TO COLO-FAST LM150/100 ARCH SYSTEM (SEE MECHANICAL PROPERTIES BELOW) PRODUCED BY RECTICEL, DAMSTRAAT 2, B9230 BELGIUM, THAN IS AN ALIPHATIC THREE-COMPONENT POLYURETHANE SYSTEM, DESIGNED FOR REACTION INJECTION MOLDING, RESULTING IN A MICRO-CELLULAR FLEXIBLE ELASTOMER. COMPONENTS CONSIST OF:
 POLYFAST 150/100 IS A MIXTURE OF POLYOLS, CATALYSTS, ANTI-OXYDANTS.
 COLORPASTE XXXXP IS A MIXTURE OF POLYOLS AND COLORPASTES; THE NUMBER IS DEPENDING ON THE REQUIRED COLOR.*
 ISOFAST 250/100 IS A MIXTURE OF AN ISOPHORONDIISOCYANATE MODIFICATION, CATALYSTS AND ANTI-OXYDANTS.

MECHANICAL PROPERTIES			
SYSTEM	TEST METHOD	UNIT	LM150/100 ARCH
MOULDED DENSITY (Kg/m ³)	ISO 1183	Kg/m ³	1050
HARDNESS SHORE A	ASTM D2240 (0 s)	----	90
	DIN 53505 (3 s)	----	86
	ISO 868 (15 s)	----	85
HARDNESS SHORE D	ASTM D2240 (0 s)	----	38
	DIN 53505 (3 s)	----	31
	ISO 868 (15 s)	----	28
ELONGATION	ISO 527	%	166
TENSILE STRENGTH	ISO 527	MPa	12
TENSILE RESISTANCE	ISO 34	kN/m	32
	ASTM D624/C	N/cm	450
WATER ABSORPTION (72h/2'C)	ASTM D570	%	4.4
FLEXURAL MODULUS	ASTM D790 IB	MPa	62

* QUALIFIED COLORS:

WHITE
 BEIGE
 GRAY

THIS DRAWING SHALL ONLY BE USED TO OBTAIN PERMITS IN THE STATE OF FLORIDA

12. PRODUCT MANUFACTURER'S LABEL SHALL BE LOCATED ON A READILY VISIBLE LOCATION AT PRODUCT IN ACCORDANCE WITH SECTION 2405.5 OF THE FLORIDA BUILDING CODE.
13. (a) THIS P.A.D. PREPARED BY THIS ENGINEER IS GENERIC AND DOES NOT PROVIDE INFORMATION FOR A SITE SPECIFIC PROJECT; i.e. WHERE THE SITE CONDITIONS DEVIATE FROM THE P.A.D.
 (b) CONTRACTOR TO BE RESPONSIBLE FOR THE SELECTION, PURCHASE AND INSTALLATION INCLUDING LIFE SAFETY OF THIS PRODUCT, BASED ON THIS P.A.D., PROVIDED HE/SHE DOES NOT DEVIATE FROM THE CONDITIONS DETAILED ON THIS DOCUMENT. CONSTRUCTION SAFETY AT SITE IS THE CONTRACTOR'S RESPONSIBILITY.
 (c) THIS P.A.D. WILL BE CONSIDERED INVALID IF ALTERED BY ANY MEANS.
 (d) SITE SPECIFIC PROJECTS SHALL BE PREPARED BY A FLORIDA REGISTERED ENGINEER OR ARCHITECT WHICH WILL BECOME THE ENGINEER OF RECORD (E.O.R.) FOR THE PROJECT AND WHO WILL BE RESPONSIBLE FOR THE PROPER USE OF THE P.A.D. ENGINEER OF RECORD, ACTING AS DELEGATED ENGINEER TO THE P.A.D. ENGINEER, SHALL SUBMIT TO THIS LATTER THE SITE SPECIFIC DRAWINGS FOR REVIEW.
 (e) ORIGINAL P.A.D. SHALL BEAR THE DATE AND ORIGINAL SEAL AND SIGNATURE OF THE PROFESSIONAL ENGINEER OF RECORD THAT PREPARED IT.

SCHEDULE OF STANDARDS USED TO VERIFY MATERIAL PROPERTIES OF SKYLIGHTS

MATERIAL PROPERTY	STANDARD	TEST RESULTS	TEST REPORT #	LABORATORY	F.B.C. SECTIONS
DENSITY OF SMOKE	ASTM D2843	SMOKE DENSITY 30.7%	17172-123931	OMEGA POINT	2615.2
		SMOKE DENSITY RATING 22.2%			
SELF IGNITION TEMPERATURE	ASTM D1929-12	FLASH IGNITION 644°F	17172-123928	OMEGA POINT	2615.2
		SPONTANEOUS-IGNITION TEMP. 680°F			
RATE OF BURNING &/OR EXTENT & TIME OF BURNING OF PLASTICS IN A HORIZONTAL POSITION	ASTM D635-10	>1 in/min. (C-1)	0502-65284	GHESQUIERE PLASTIC TESTING, INC.	2615.2
WEATHERING	ASTM G155-05	WEATHERED FOR: 4500 hrs.	ETC-08-1146-21854.1	ETC LABORATORIES	2615.2
TENSILE STRENGTH	ASTM D638-03	UNEXPOSED: 1400.04 psi EXPOSED: 1439.59 psi % DIFF.: -2.8%			
FIRE RESISTANCE OF ROOF COVERING MATERIALS	UL 790-97	PASSED	2092-07-07	RAMTECH	2610.2 *
TENSILE AND SHEAR STRENGTH OF #10 SCREWS THRU SSF AND CAP FRAME FOR ATTACHMENT INTO WOOD	ASTM D412 (12/06)	TENSION CAPACITY: Tu = 229 Lb	0804-1044	FENESTRATION TESTING LAB P.E. WITNESSING IN PLANT TESTING	1625.1
		SHEAR CAPACITY: Su = 141 Lb			

8. EFBOND DV 930 IS A PRIMING SUBSTANCE USED IN GLAZING PENETRATION INTO FRAME. SEE TABLE OF PHYSICAL AND CHEMICAL PROPERTIES ON SHEET 2.
- EFBOND DW 646 IS LAYER TO PROMOTE ADHESION USED IN GLAZING PENETRATION INTO FRAME. SEE TABLE OF PHYSICAL AND CHEMICAL PROPERTIES ON SHEET 2.
9. TEMPERED GLASS SHALL COMPLY WITH 16CFR 1201 STANDARD. HEAT STRENGTHENED GLASS SHALL COMPLY WITH SECTION 2411.1.5 OF THE FLORIDA BUILDING CODE.
10. ANCHOR SPECIFICATIONS, SEE ITEM #7 ON SHEET 2 ON BILL OF MATERIALS.
11. WOOD CURBS OR SUPPORT NOT BY V-TECH INDUSTRIES, MUST BE PROPERLY ANCHORED AND DESIGNED BY PROFESSIONAL OF RECORD TO TRANSFER ALL LOADS TO THE BUILDING STRUCTURE AND MUST BE APPROVED BY BUILDING OFFICIAL AT THE TIME PERMIT IS APPLIED FOR. WOOD TO BE SOUTHERN PINE, G = 0.55.

NOTE: NOT REQUIRED FOR HIGH VELOCITY HURRICANE ZONES, BUT IT WAS STILL PERFORMED TO BE CERTAIN ABOUT THE FIRE RESISTANCE OF THIS GLAZED SKYLIGHT.

FLORIDA BUILDING CODE (HIGH VELOCITY HURRICANE ZONE)

<p>PRODUCT REVISED as complying with the Florida Building Code Acceptance No <u>23-0726-06</u> Expiration Date <u>06/10/2024</u> By <u>Walter A. Tillit Jr.</u> Miami Dade Product Control</p> <p>MIAMI-DADE COUNTY</p>	<p>STATE OF FLORIDA PROFESSIONAL ENGINEER No. 44167 7/5/2023</p> <p>P.E. SEAL/SIGNATURE/DATE</p>	<p>©2023 TILTECO, INC</p> <p>TILTECO INC.</p> <p>TILLIT TESTING & ENGINEERING COMPANY 6355 N.W. 36th St., Ste. 305, VIRGINIA GARDENS, FL 33166 Phone : (305)871-1530 . Fax : (305)871-1531 e-mail: tilliteco@aol.com CA-0006719 WALTER A. TILLIT Jr. P.E. FLORIDA Lic. # 44167</p>	<p>SERIES SEAMLESS SELF-FLASHING GLAZED SKYLIGHT (SSF), SERIES CURB-MOUNTED GLAZED SKYLIGHT (CAP) AND SERIES CURB-MOUNTED GLAZED SKYLIGHT (CMC) LARGE MISSILE IMPACT RESISTANT-INSULATED GLASS</p> <p>V-TECH INDUSTRIES 5534 HARVEY WILSON DRIVE HOUSTON, TEXAS 77020 PHONE: (866) 491-0843</p>	<p>W.H DRAWN BY</p> <p>07/03/2023 DATE</p> <p>23-063 DRAWING No</p>															
		<table border="1"> <thead> <tr> <th>REV. No</th> <th>DESCRIPTION</th> <th>DATE</th> <th>REV. No</th> <th>DESCRIPTION</th> <th>DATE</th> </tr> </thead> <tbody> <tr> <td>1</td> <td>OLD 20-139</td> <td>07/03/2023</td> <td>3</td> <td>-</td> <td>-</td> </tr> <tr> <td>2</td> <td>-</td> <td>-</td> <td>4</td> <td>-</td> <td>-</td> </tr> </tbody> </table>	REV. No	DESCRIPTION	DATE	REV. No	DESCRIPTION	DATE	1	OLD 20-139	07/03/2023	3	-	-	2	-	-	4	-
REV. No	DESCRIPTION	DATE	REV. No	DESCRIPTION	DATE														
1	OLD 20-139	07/03/2023	3	-	-														
2	-	-	4	-	-														

AS PER EFTEC MATERIAL SAFETY DATA SHEET PHYSICAL AND CHEMICAL PROPERTIES FOR "EFBOND DV 930" (5)	
- GENERAL INFORMATION	
FORM:	LIQUID
COLOUR:	BLACK
ODOUR:	CHARACTERISTIC
- CHANGE UN CONDITION	
MELTING POINT/MELTING RANGE:	UNDERTERMINED
BOILING POINT/BOILING RANGE:	79°C
- FLASH POINT:	-4°C
- IGNITION TEMPERATURE:	370.0°C
- SELF-IGNITION:	PRODUCT IS NOT SELFIGNITING
- DANGER OF EXPLOSION:	PRODUCT IS NOT EXPLOSIVE. HOWEVER, FORMATION OF EXPLOSIVE AIR/ VAPOUR MIXTURES ARE POSSIBLE.
- EXPLOSION LIMITS:	
LOWER:	1.8 VOL%
UPPER:	11.5 VOL%
- VAPOUR PRESSURE AT 20°C:	105.0 hPa
- DENSITY AT 20°C:	0.950 g/cm ³
- SOLUBILITY IN / MISCIBILITY	
WITH WATER:	NOT MISCIBLE OR DIFFICULT TO MIX
- SOLVENT CONTENT:	
ORGANIC SOLVENTS:	69.00%
- SOLIDS CONTENT:	31.00%

AS PER EFTEC MATERIAL SAFETY DATA SHEET PHYSICAL AND CHEMICAL PROPERTIES FOR "EFBOND DW 646" (6)	
- GENERAL INFORMATION	
FORM:	LIQUID
COLOUR:	CLEAR
ODOUR:	ALCOHOL-LIKE
- CHANGE UN CONDITION	
MELTING POINT/MELTING RANGE:	-114.5°C
BOILING POINT/BOILING RANGE:	78°C
- FLASH POINT:	13°C
- IGNITION TEMPERATURE:	425.0°C
- SELF-IGNITION:	PRODUCT IS NOT SELFIGNITING
- DANGER OF EXPLOSION:	PRODUCT IS NOT EXPLOSIVE. HOWEVER, FORMATION OF EXPLOSIVE AIR/ VAPOUR MIXTURES ARE POSSIBLE.
- EXPLOSION LIMITS:	
LOWER:	3.5 VOL%
UPPER:	15.0 VOL%
- VAPOUR PRESSURE AT 20°C:	59.0 hPa
- DENSITY AT 20°C:	0.797 g/cm ³
- SOLUBILITY IN / MISCIBILITY	
WITH WATER:	1.000 g/l
- SOLVENT CONTENT:	
ORGANIC SOLVENTS:	96.50%
- SOLIDS CONTENT:	3.50%

BILL OF MATERIALS					
# ITEM	PART	DESCRIPTION	MATERIAL	USE AT	
				SSF & CAP	CMC
1	FRAME	APPLICABLE ONLY FOR "SQUARE" SHAPE FRAME SERIES: SEAMLESS SELF-FLASHING GLAZED SKYLIGHT (SSF), CORRESPOND TO COLO-FAST® LM150/100 ARCH SYSTEM (SEE NOTE 7/1, AND DETAIL ON SHEET 3)	ALIPAHTIC POLYURETHANE	YES	NO
2	FRAME	APPLICABLE FOR "SQUARE" AND "RECTANGULAR" SHAPES FRAME SERIES: CURB-MOUNTED GLAZED SKYLIGHT (CAP), CORRESPOND TO COLO-FAST® LM150/100 ARCH SYSTEM (SEE NOTE 7/1, AND DETAIL ON SHEET 3)	ALIPAHTIC POLYURETHANE	YES	NO
2A	FRAME	APPLICABLE FOR "SQUARE" SHAPE FRAME SERIES: CURB-MOUNTED GLAZED SKYLIGHT (CMC), CORRESPOND TO COLO-FAST® LM150/100 ARCH SYSTEM (SEE NOTE 7/1, AND SEE COMPONENT ON SHEET 3)	ALIPAHTIC POLYURETHANE	NO	YES
3	FRAME	APPLICABLE ONLY FOR "RECTANGULAR" SHAPE FRAME SERIES: SEAMLESS SELF-FLASHING (SSF) SKYLIGHT, GLASS GLAZED SKYLIGHT, CORRESPOND TO COLO-FAST® LM150/100 ARCH SYSTEM (SEE NOTE 7/1, AND DETAIL ON SHEET 3)	ALIPAHTIC POLYURETHANE	YES	NO
4	GLASS	3/4" OVERALL THICKNESS 1/8" TEMPERED GLASS (EXTERIOR LITE) + 1/4" AIR SPACE + 1/8" H.S. GLASS (INTERIOR LITE) WITH A 0.120" INTERLAYER FILM, TROSIFOL PVB INTERLAYER MANUFACTURED BY KURARAY AMERICA, INC, LAMINATED BY CARDINAL GLASS + 1/8" H.S. GLASS (INTERIOR LITE).	IMPACT RESISTANT INSULATED GLASS	YES	NO
4A	GLASS	3/4" OVERALL THICKNESS 5/32" TEMPERED GLASS (EXTERIOR LITE) + 1/4" AIR SPACE + 3/32" H.S. GLASS (INTERIOR LITE) WITH A 0.120" INTERLAYER FILM, TROSIFOL PVB INTERLAYER MANUFACTURED BY KURARAY AMERICA, INC, LAMINATED BY CARDINAL GLASS + 3/32" H.S. GLASS (INTERIOR LITE).	IMPACT RESISTANT INSULATED GLASS	NO	YES
5	GLAZING SEALANT	EDBOND DV 930, SEE PHYSICAL AND CHEMICAL PROPERTIES ON THIS SHEET.	PRIMER	YES	YES
6	GLAZING SEALANT	EDBOND DW 646, SEE PHYSICAL AND CHEMICAL PROPERTIES ON THIS SHEET.	ADHESIVE	YES	YES
7	ANCHORS TO WOOD	#10 x 1 1/2" PHILLIPS SHEET METAL SCREW TO WOOD FRAME W/ 1.22" MIN. THREADED PENETRATION FOR TENSION CAPACITY (AT SSF) AND 1.20" MIN. THREADED PENETRATION FOR SHEAR CAPACITY (AT CAP AND CMC).	NON CORROSIVE STEEL	YES	YES

PRODUCT REVISED
as complying with the Florida
Building Code
Acceptance No. _____
Expiration Date _____
By *Walter A. Tillit Jr.*
Miami Dade Product Control
MIAMI-DADE COUNTY

WALTER A. TILLIT JR.
LICENSE
No. 44167
STATE OF
FLORIDA
PROFESSIONAL ENGINEER
7/6/2023
P.E. SEAL/SIGNATURE/DATE

©2023 TILTECO, INC.
TILTECO inc.
TILLIT TESTING & ENGINEERING COMPANY
6355 N.W. 36th. St., Ste. 305, VIRGINIA GARDENS, FL 33166
Phone : (305)871-1530 . Fax : (305)871-1531
e-mail: tilliteco@aol.com
CA-0006719
WALTER A. TILLIT Jr. P.E.
FLORIDA Lic. # 44167

FLORIDA BUILDING CODE (HIGH VELOCITY HURRICANE ZONE)

SERIES SEAMLESS SELF-FLASHING GLAZED SKYLIGHT (SSF),
SERIES CURB-MOUNTED GLAZED SKYLIGHT (CAP) AND
SERIES CURB-MOUNTED GLAZED SKYLIGHT (CMC) LARGE
MISSILE IMPACT RESISTANT-INSULATED GLASS

W.H
DRAWN BY

V-TECH INDUSTRIES

5534 HARVEY WILSON DRIVE
HOUSTON, TEXAS 77020
PHONE: (866) 491-0843

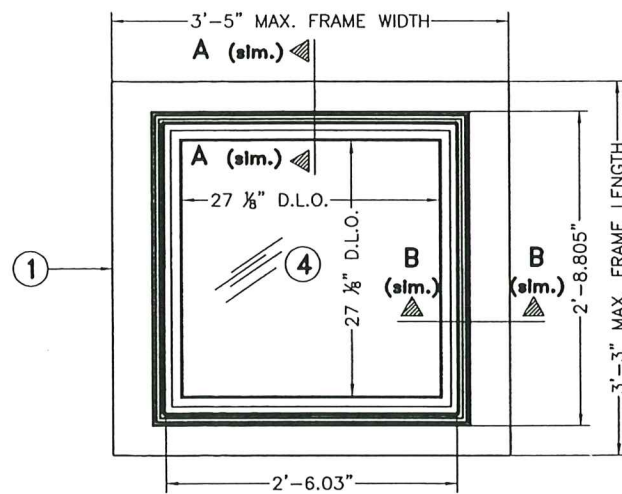
07/03/2023
DATE

23-063

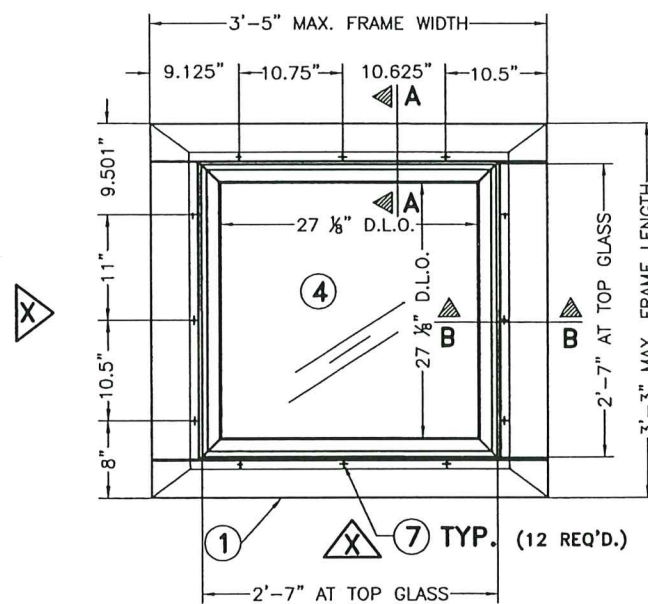
DRAWING No

REV. No	DESCRIPTION	DATE	REV. No	DESCRIPTION	DATE
1	OLD 20-139	07/03/2023	3	-	-
2	-	-	4	-	-

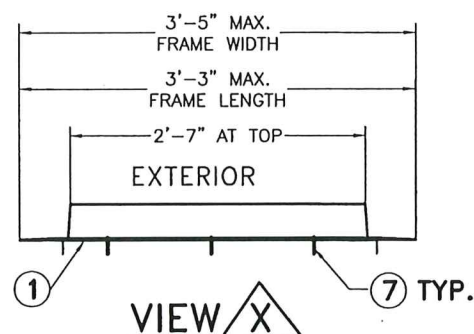
SHEET 2 OF 8



PLAN (INTERIOR SIDE)

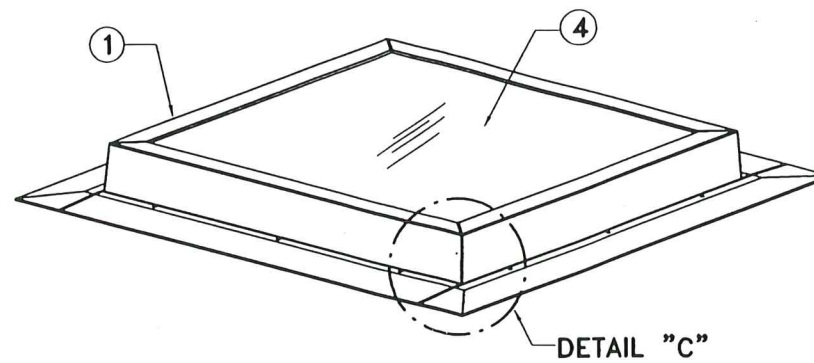


PLAN (EXTERIOR SIDE)

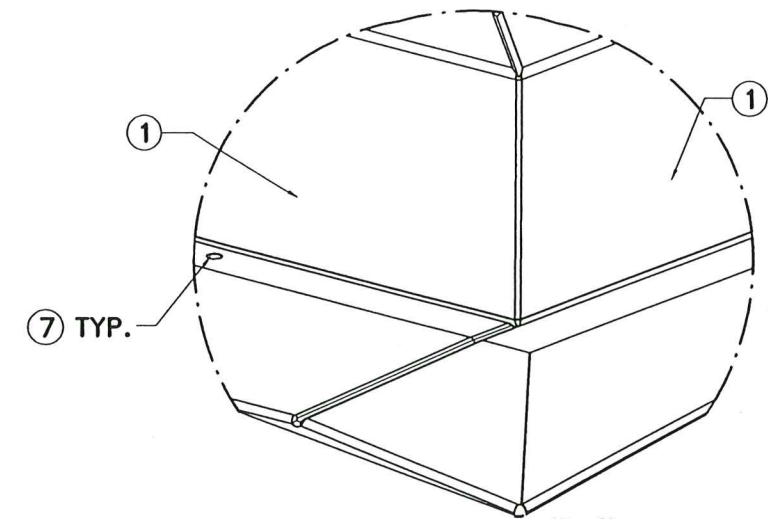


CASE 1: 3'-5" x 3'-3" SERIES SEAMLESS SELF-FLASHING GLAZED SKYLIGHT (S.S.F.)

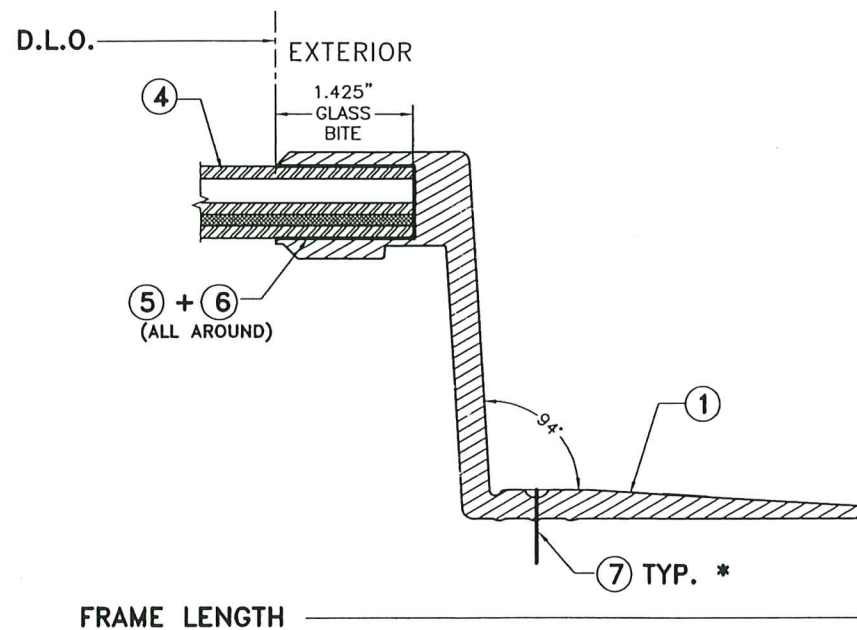
N.T.S.



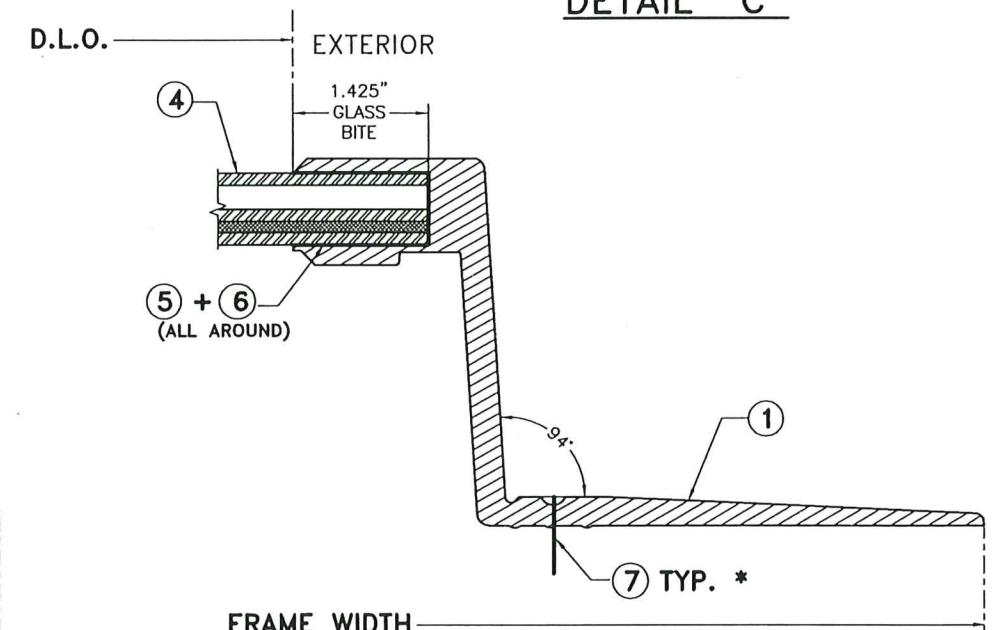
TYPICAL ISOMETRIC



DETAIL "C"



SECTION A-A
SCALE: 1/2"=1"



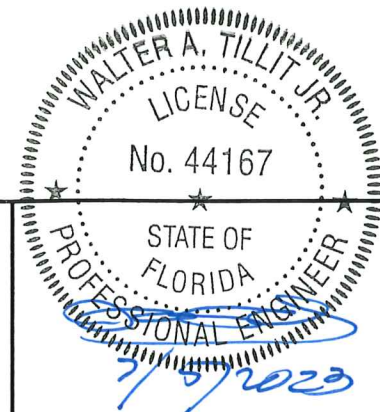
SECTION B-B
SCALE: 1/2"=1"

GLAZING DETAIL

* SEE CONNECTION DETAIL ON SHEET 8/8

PRODUCT REVISED
as complying with the Florida
Building Code
Acceptance No _____
Expiration Date _____
By *Hely A. Miller*
Miami Dept Product Control

MIAMI-DADE COUNTY



P.E. SEAL/SIGNATURE/DATE

©2023 TILTECO, INC.

TILTECO INC.
TILLIT TESTING & ENGINEERING COMPANY
6355 N.W. 36th St., Ste. 305, VIRGINIA GARDENS, FL 33166
Phone : (305)871-1530 . Fax : (305)871-1531
e-mail: tilteco@aol.com
CA-0006719
WALTER A. TILLIT Jr. P.E.
FLORIDA Lic. # 44167

FLORIDA BUILDING CODE (HIGH VELOCITY HURRICANE ZONE)

SERIES SEAMLESS SELF-FLASHING GLAZED SKYLIGHT (SSF),
SERIES CURB-MOUNTED GLAZED SKYLIGHT (CAP) AND
SERIES CURB-MOUNTED GLAZED SKYLIGHT (CMC) LARGE
MISSILE IMPACT RESISTANT-INSULATED GLASS

V-TECH INDUSTRIES

5534 HARVEY WILSON DRIVE
HOUSTON, TEXAS 77020
PHONE: (866) 491-0843

W.H
DRAWN BY

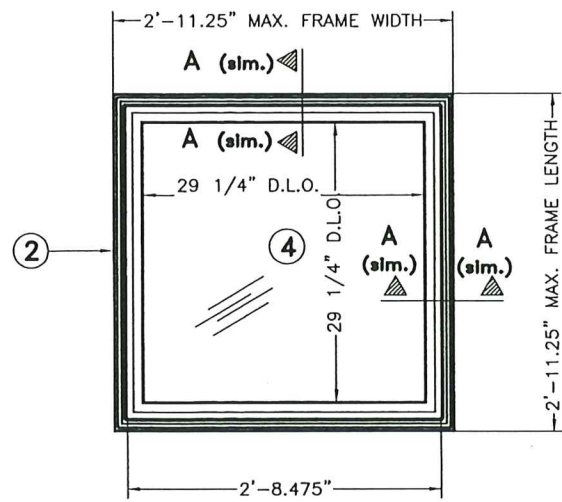
07/03/2023
DATE

23-063

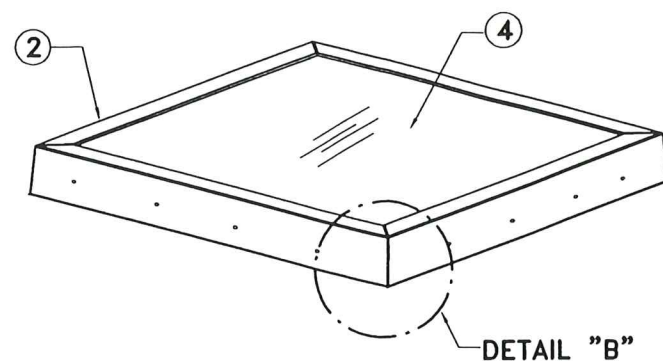
DRAWING No

REV. No	DESCRIPTION	DATE	REV. No	DESCRIPTION	DATE
1	OLD 20-139	07/03/2023	3	-	-
2	-	-	4	-	-

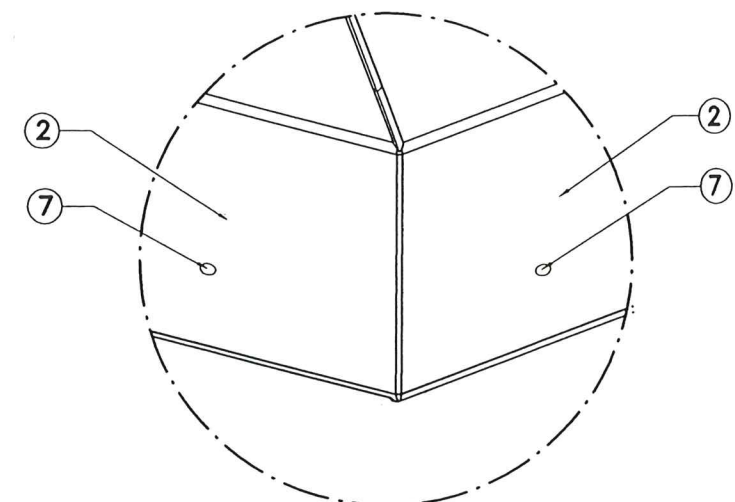
SHEET 4 OF 8



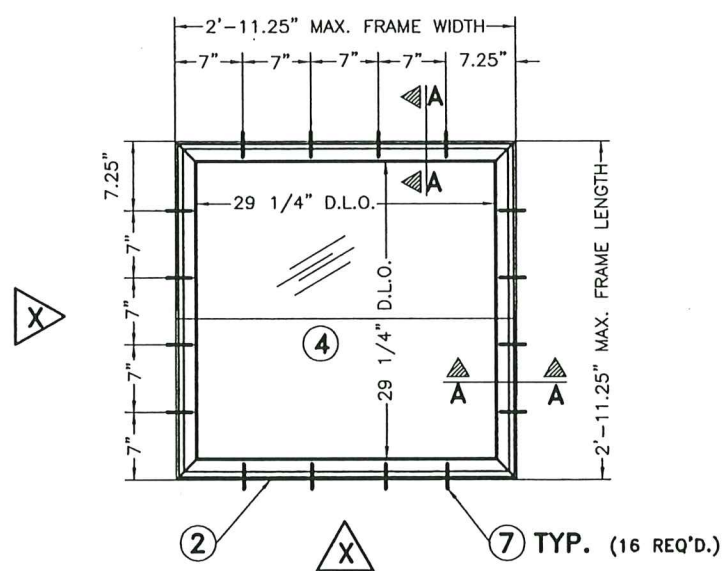
PLAN (INTERIOR SIDE)



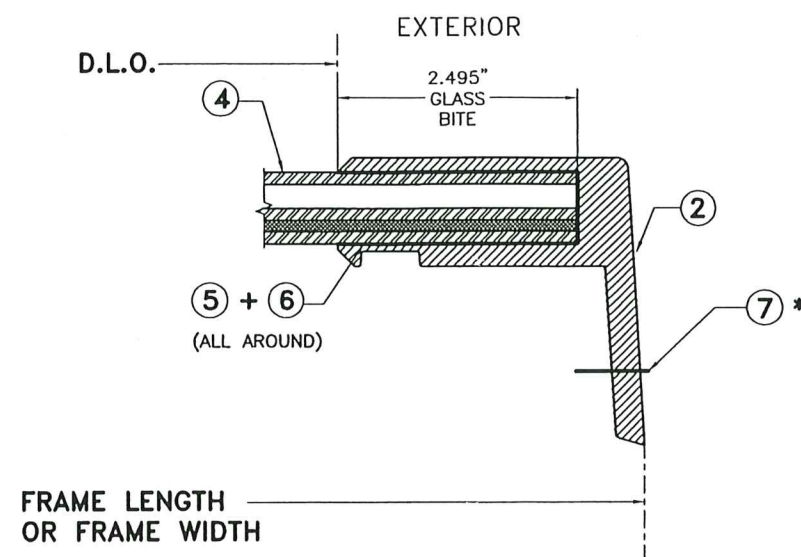
TYPICAL ISOMETRIC



DETAIL "B"



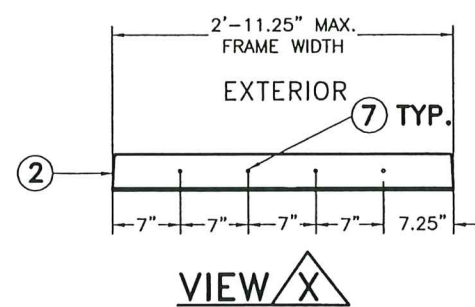
PLAN (EXTERIOR SIDE)



SECTION A-A
SCALE: 1/2"=1"

GLAZING DETAIL

* SEE CONNECTION DETAIL ON SHEET 8/8



VIEW X

CASE 2: 2'-11 1/4"x2'-11 1/4" SERIES CURB-MOUNTED GLAZED SKYLIGHT (CAP)
N.T.S.

FLORIDA BUILDING CODE (HIGH VELOCITY HURRICANE ZONE)

PRODUCT REVISED
as complying with the Florida Building Code
Acceptance No _____
Expiration Date _____
By *Heidi A. Miller*
Miami Date Product Control
MIAMI-DADE COUNTY

WALTER A. TILLIT JR.
LICENSE
No. 44167
STATE OF FLORIDA
PROFESSIONAL ENGINEER
Walter A. Tillit Jr.
P.E. SEAL/SIGNATURE/DATE

©2023 TILTECO, INC.
TILTECO INC.
TILLIT TESTING & ENGINEERING COMPANY
6355 N.W. 36th. St., Ste. 305, VIRGINIA GARDENS, FL 33166
Phone : (305)871-1530 . Fax : (305)871-1531
e-mail: tilteco@aol.com
CA-0006719
WALTER A. TILLIT JR. P.E.
FLORIDA Lic. # 44167

SERIES SEAMLESS SELF-FLASHING GLAZED SKYLIGHT (SSF),
SERIES CURB-MOUNTED GLAZED SKYLIGHT (CAP) AND
SERIES CURB-MOUNTED GLAZED SKYLIGHT (CMC) LARGE
MISSILE IMPACT RESISTANT-INSULATED GLASS

V-TECH INDUSTRIES
5534 HARVEY WILSON DRIVE
HOUSTON, TEXAS 77020
PHONE: (866) 491-0843

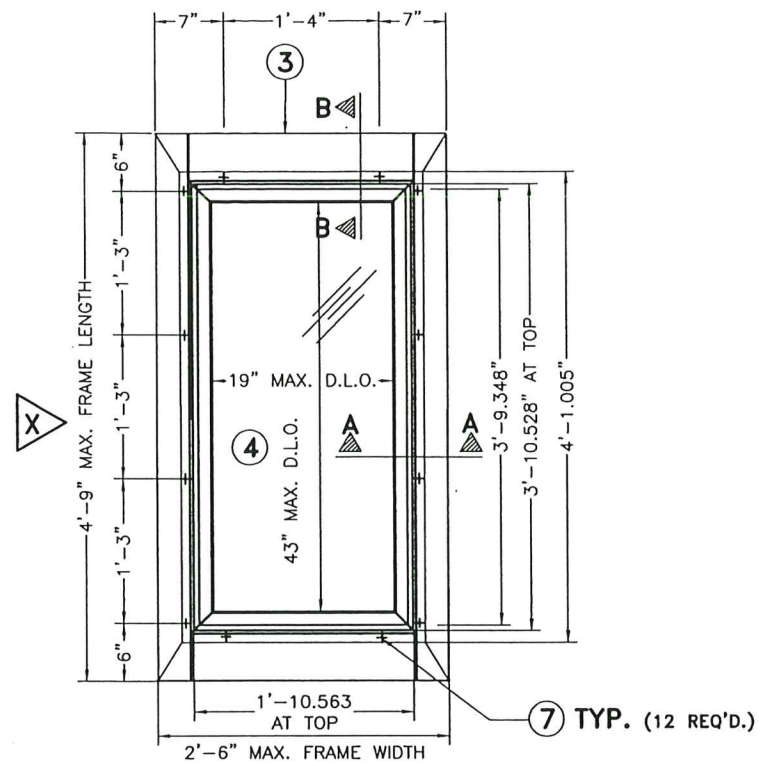
REV. No	DESCRIPTION	DATE	REV. No	DESCRIPTION	DATE
1	OLD 20-139	07/03/2023	3	-	-
2	-	-	4	-	-

W.H
DRAWN BY

07/03/2023
DATE

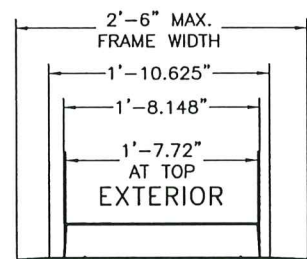
23-063
DRAWING No

SHEET 5 OF 8

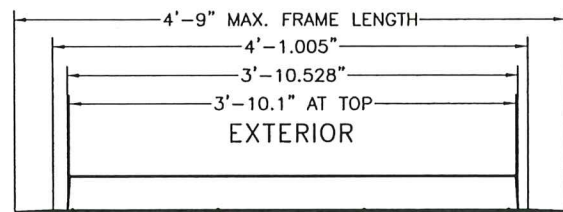


VIEW Y

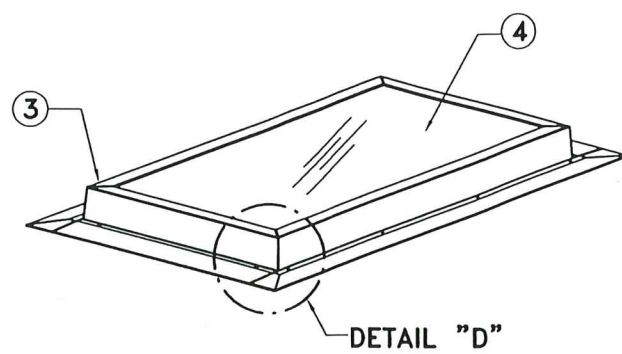
PLAN (EXTERIOR SIDE)



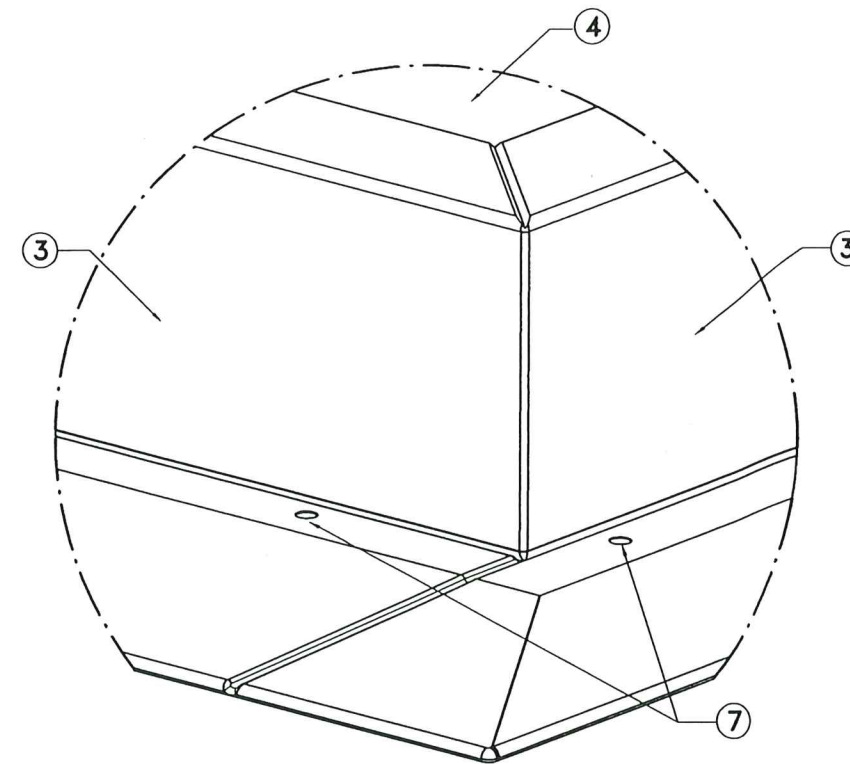
VIEW Y



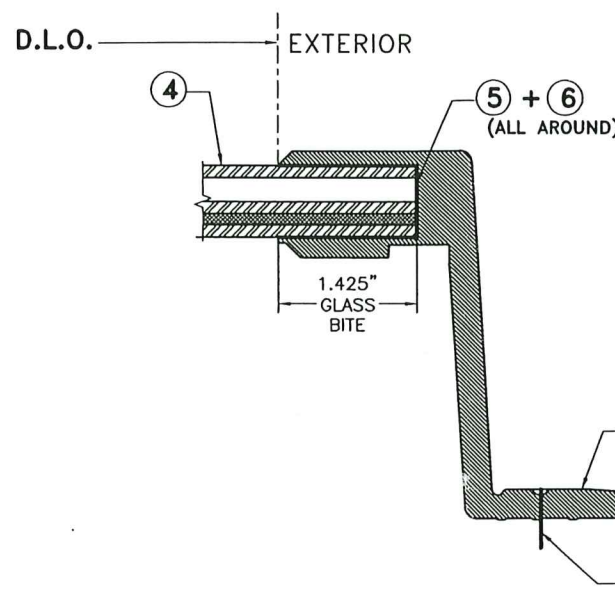
VIEW X



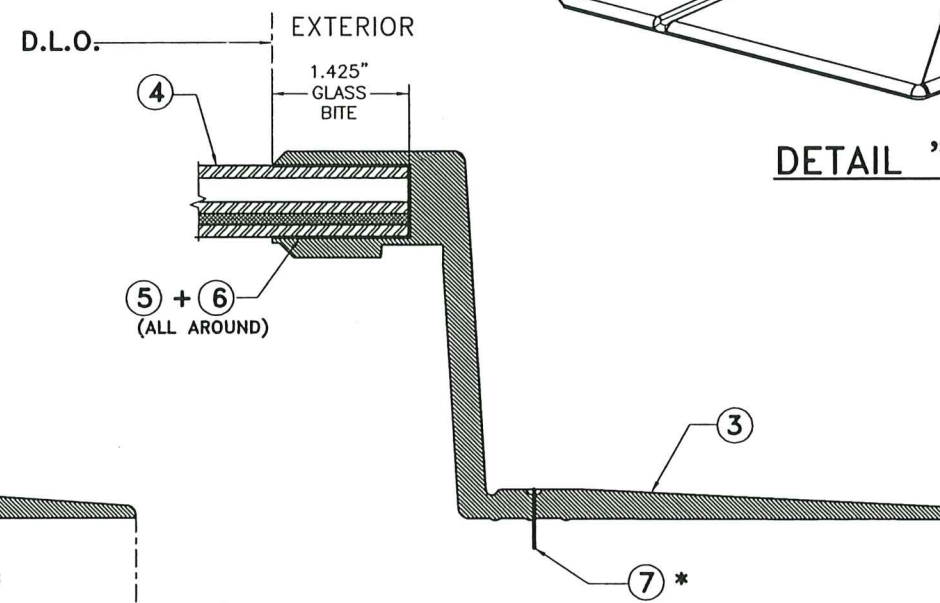
TYPICAL ISOMETRIC



DETAIL "D"



SECTION A-A
SCALE: 1/2"=1"



SECTION B-B
SCALE: 1/2"=1"

GLAZING DETAIL

* SEE CONNECTION DETAIL ON SHEET 8/8

CASE 3: 2'-6" x 4'-9" SERIES SEAMLESS SELF-FLASHING GLAZED SKYLIGHT (S.S.F.)
N.T.S.

PRODUCT REVISED
as complying with the Florida
Building Code
Acceptance No. _____
Expiration Date _____
By *Walter A. Tillit Jr.*
Miami Dade Product Control

MIAMI-DADE COUNTY



P.E. SEAL/SIGNATURE/DATE

©2023 TILTECO, INC

TILTECO INC.
TILLIT TESTING & ENGINEERING COMPANY
6355 N.W. 36th St., Ste. 305, VIRGINIA GARDENS, FL 33166
Phone : (305)871-1530 . Fax : (305)871-1531
e-mail: tilteco@aol.com
CA-0006719
WALTER A. TILLIT Jr. P.E.
FLORIDA Lic. # 44167

FLORIDA BUILDING CODE (HIGH VELOCITY HURRICANE ZONE)

SERIES SEAMLESS SELF-FLASHING GLAZED SKYLIGHT (SSF),
SERIES CURB-MOUNTED GLAZED SKYLIGHT (CAP) AND
SERIES CURB-MOUNTED GLAZED SKYLIGHT (CMC) LARGE
MISSILE IMPACT RESISTANT-INSULATED GLASS

V-TECH INDUSTRIES

5534 HARVEY WILSON DRIVE
HOUSTON, TEXAS 77020
PHONE: (866) 491-0843

W.H
DRAWN BY

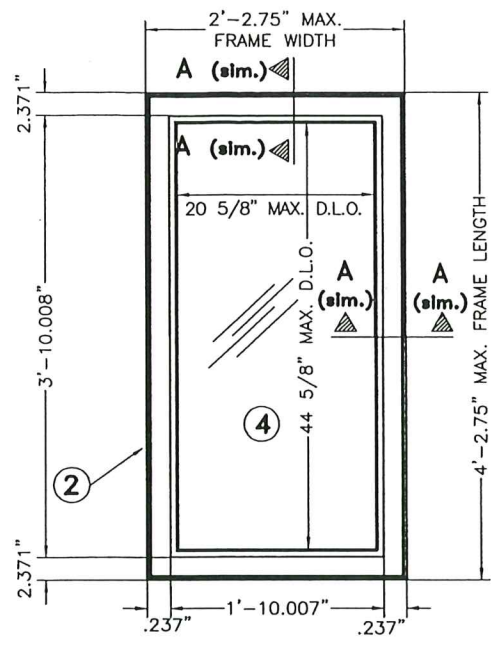
07/03/2023
DATE

23-063

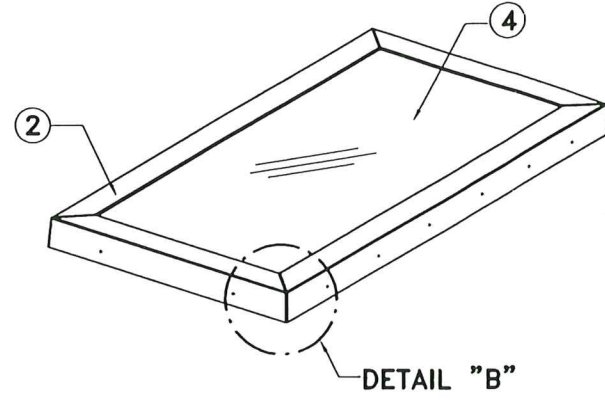
DRAWING No

REV. No	DESCRIPTION	DATE	REV. No	DESCRIPTION	DATE
1	OLD 20-139	07/03/2023	3	-	-
2	-	-	4	-	-

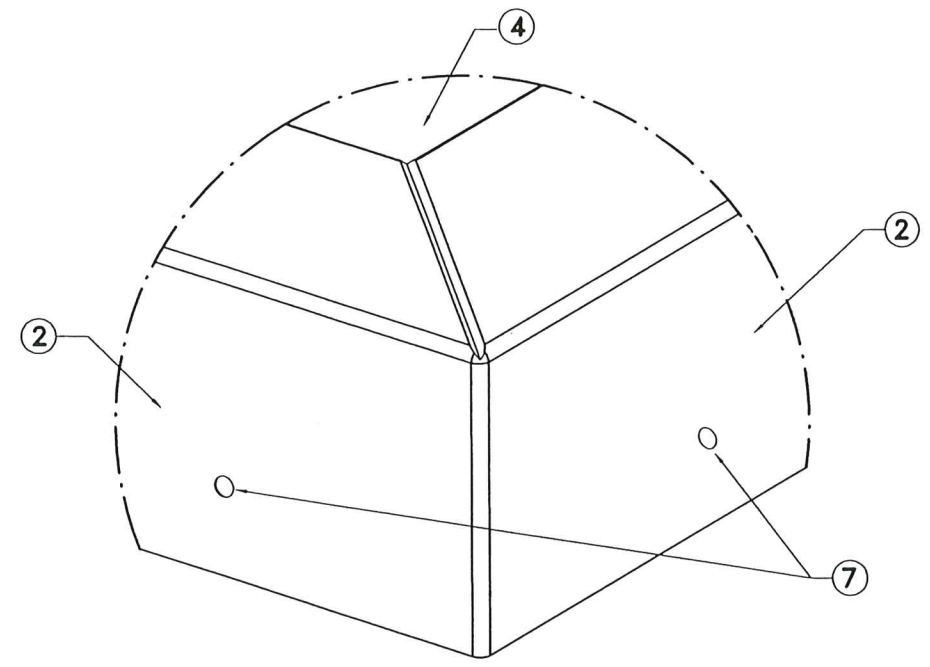
SHEET 6 OF 8



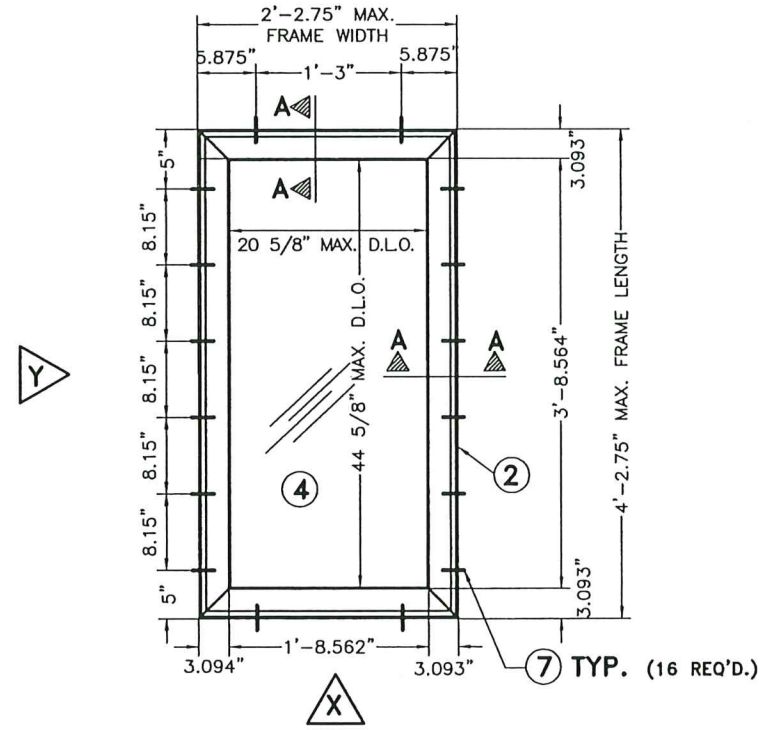
PLAN (INTERIOR SIDE)



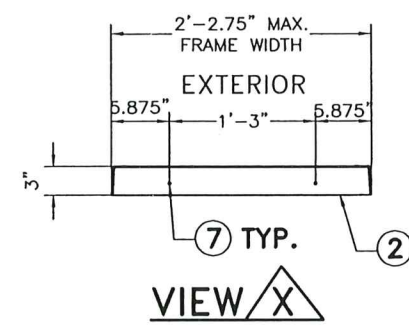
TYPICAL ISOMETRIC



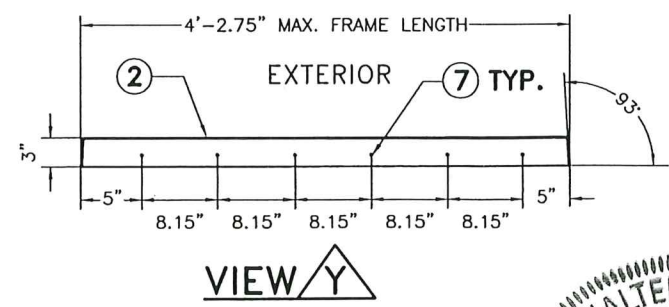
DETAIL "B"



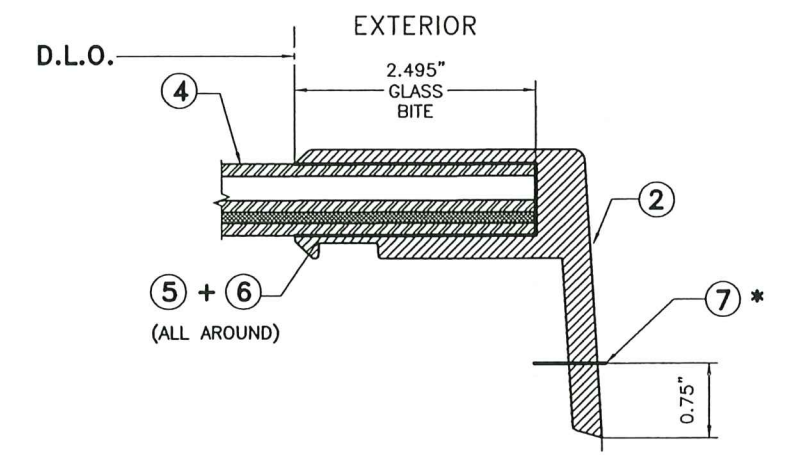
PLAN (EXTERIOR SIDE)



VIEW X



VIEW Y



SECTION A-A
SCALE: 1/2"=1"
GLAZING DETAIL

* SEE CONNECTION DETAIL ON SHEET 8/8

CASE 4: 2'-2 3/4" x 4'-2 3/4" SERIES CURB-MOUNTED GLAZED SKYLIGHT (CAP)
N.T.S.

PRODUCT REVISED as complying with the Florida Building Code
Acceptance No. _____
Expiration Date _____
By: *Walter A. Tillit Jr.*
Miami Dade Product Control
MIAMI-DADE COUNTY

WALTER A. TILLIT JR.
LICENSE No. 44167
STATE OF FLORIDA
PROFESSIONAL ENGINEER
P.E. SEAL/SIGNATURE/DATE

©2023 TILTECO, INC.
TILTECO INC.
TILLIT TESTING & ENGINEERING COMPANY
6355 N.W. 36th St., Ste. 305, VIRGINIA GARDENS, FL 33166
Phone : (305)871-1530 . Fax : (305)871-1531
e-mail: tilteco@aol.com
CA-0006719
WALTER A. TILLIT Jr. P.E.
FLORIDA Lic. # 44167

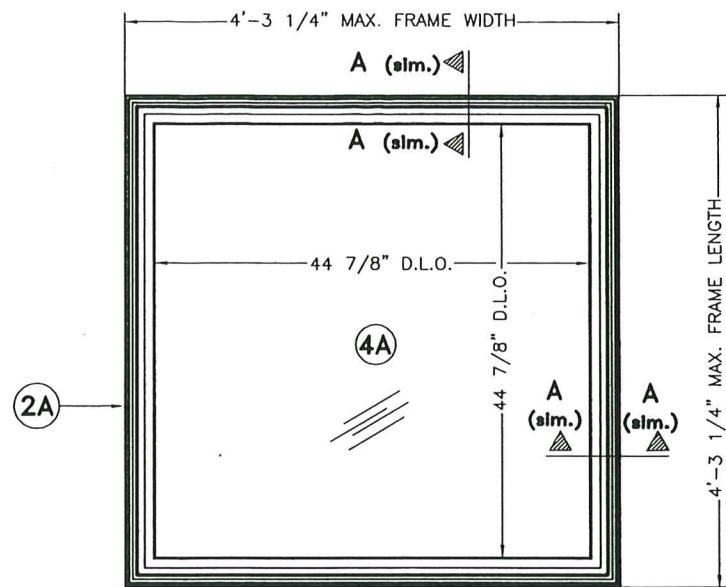
FLORIDA BUILDING CODE (HIGH VELOCITY HURRICANE ZONE)

SERIES SEAMLESS SELF-FLASHING GLAZED SKYLIGHT (SSF),
SERIES CURB-MOUNTED GLAZED SKYLIGHT (CAP) AND
SERIES CURB-MOUNTED GLAZED SKYLIGHT (CMC) LARGE
MISSILE IMPACT RESISTANT-INSULATED GLASS

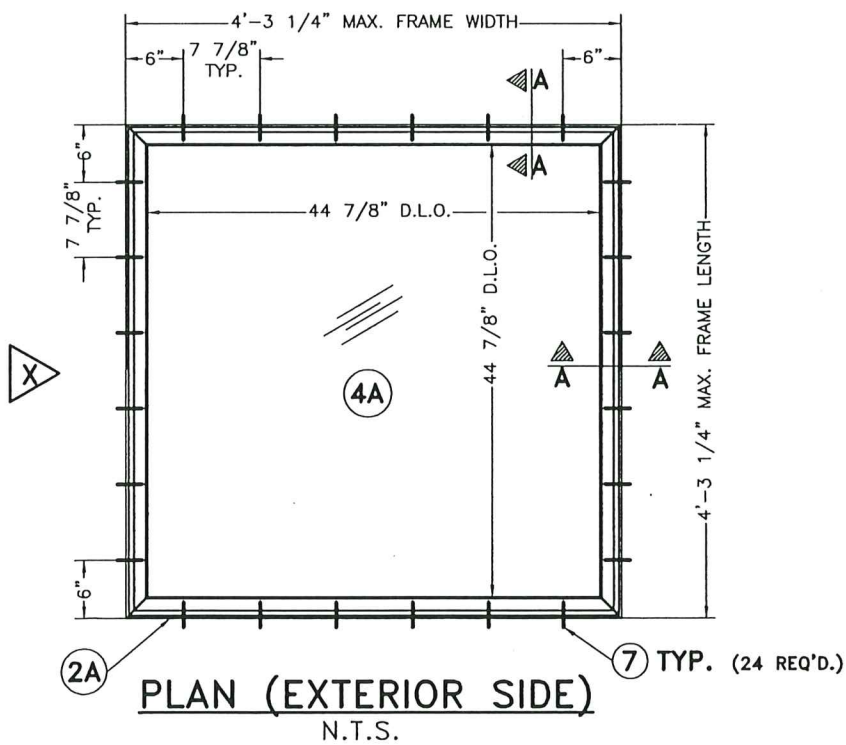
V-TECH INDUSTRIES
5534 HARVEY WILSON DRIVE
HOUSTON, TEXAS 77020
PHONE: (866) 491-0843

W.H
DRAWN BY
07/03/2023
DATE
23-063
DRAWING No
SHEET 7 OF 8

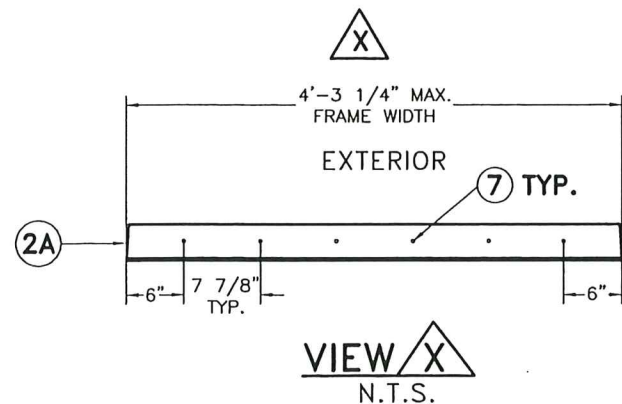
REV. No	DESCRIPTION	DATE	REV. No	DESCRIPTION	DATE
1	OLD 20-139	07/03/2023	3	-	-
2	-	-	4	-	-



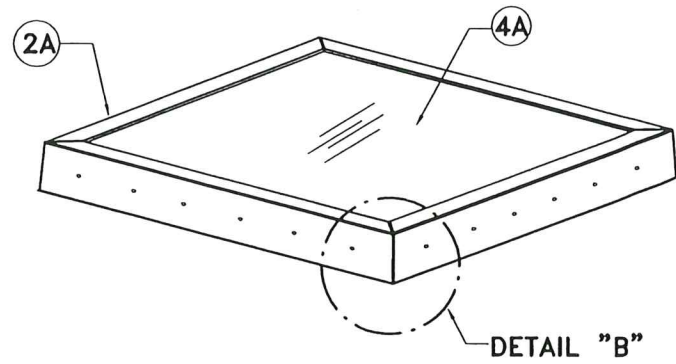
PLAN (INTERIOR SIDE)
N.T.S.



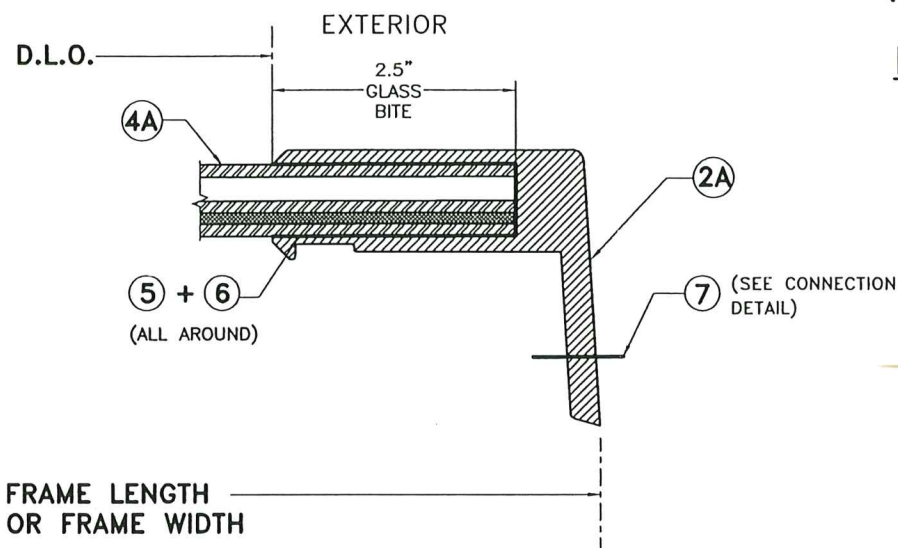
PLAN (EXTERIOR SIDE)
N.T.S.



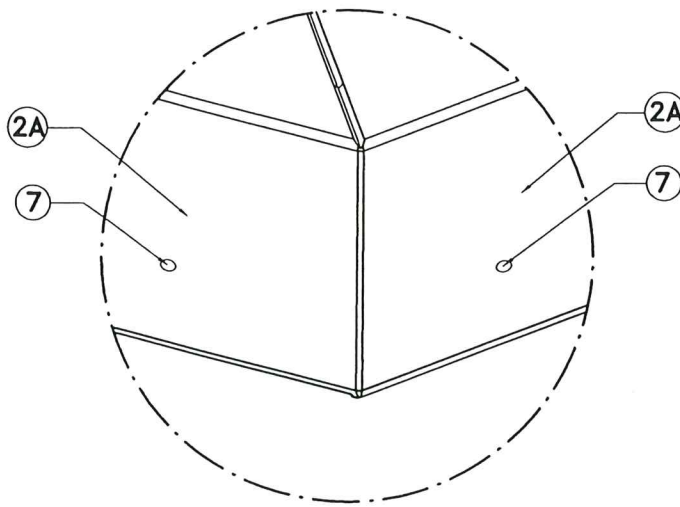
VIEW X
N.T.S.



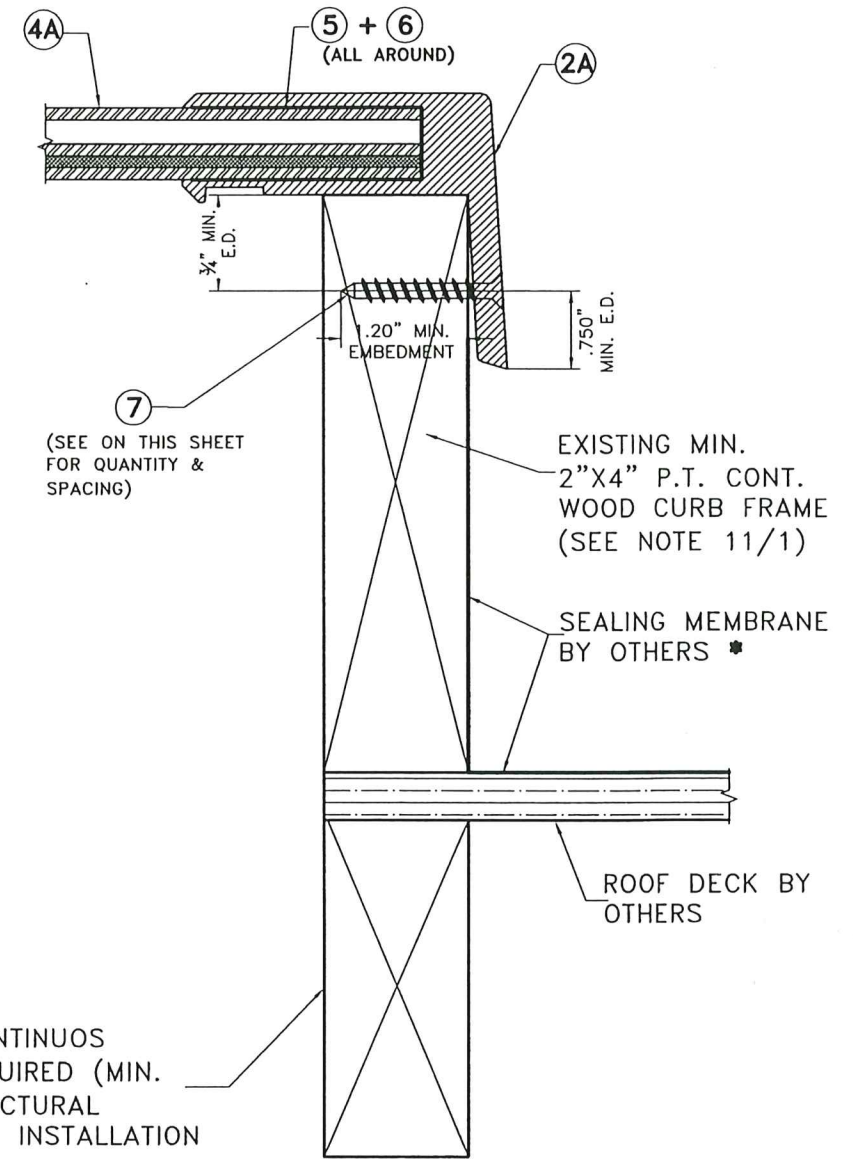
TYPICAL ISOMETRIC
N.T.S.



SECTION A-A
SCALE: 1/2"=1"
GLAZING DETAIL



DETAIL "B"
N.T.S.



CONNECTION DETAIL FOR
FRAME CASE 5 (CMC)
SCALE: 1/2"=1"

*** NOTES:**

1. ALL ROOFING DETAILS SHALL COMPLY WITH SECTIONS 1512 THRU 1525 OF THE FLORIDA BUILDING CODE.

EXISTING CONTINUOUS MEMBER REQUIRED (MIN. 2"x4") STRUCTURAL ADEQUACY & INSTALLATION BY OTHERS.

CASE 5: 4'-3 1/4"x4'-3 1/4" SERIES
CURB-MOUNTED GLAZED SKYLIGHT (CMC)

PRODUCT REVISED
as complying with the Florida
Building Code
Acceptance No _____
Expiration Date _____
By *Walter A. Tillit Jr.*
Miami Dade Product Control
MIAMI-DADE COUNTY

WALTER A. TILLIT JR.
LICENSE
No. 44167
STATE OF
FLORIDA
PROFESSIONAL ENGINEER
Walter A. Tillit Jr.
P.E. SEAL/SIGNATURE/DATE

©2023 TILTECO, INC.
TILTECO inc.
TILLIT TESTING & ENGINEERING COMPANY
6355 N.W. 36th St., Ste. 305, VIRGINIA GARDENS, FL 33166
Phone : (305)871-1530 . Fax : (305)871-1531
e-mail: tilteco@aol.com
CA-0006719
WALTER A. TILLIT Jr. P.E.
FLORIDA Lic. # 44167

SERIES SEAMLESS SELF-FLASHING GLAZED SKYLIGHT (SSF),
SERIES CURB-MOUNTED GLAZED SKYLIGHT (CAP) AND
SERIES CURB-MOUNTED GLAZED SKYLIGHT (CMC) LARGE
MISSILE IMPACT RESISTANT-INSULATED GLASS

V-TECH INDUSTRIES
5534 HARVEY WILSON DRIVE
HOUSTON, TEXAS 77020
PHONE: (866) 491-0843

REV. No	DESCRIPTION	DATE	REV. No	DESCRIPTION	DATE
1	OLD 20-139	07/03/2023	3	-	-
2	-	-	4	-	-

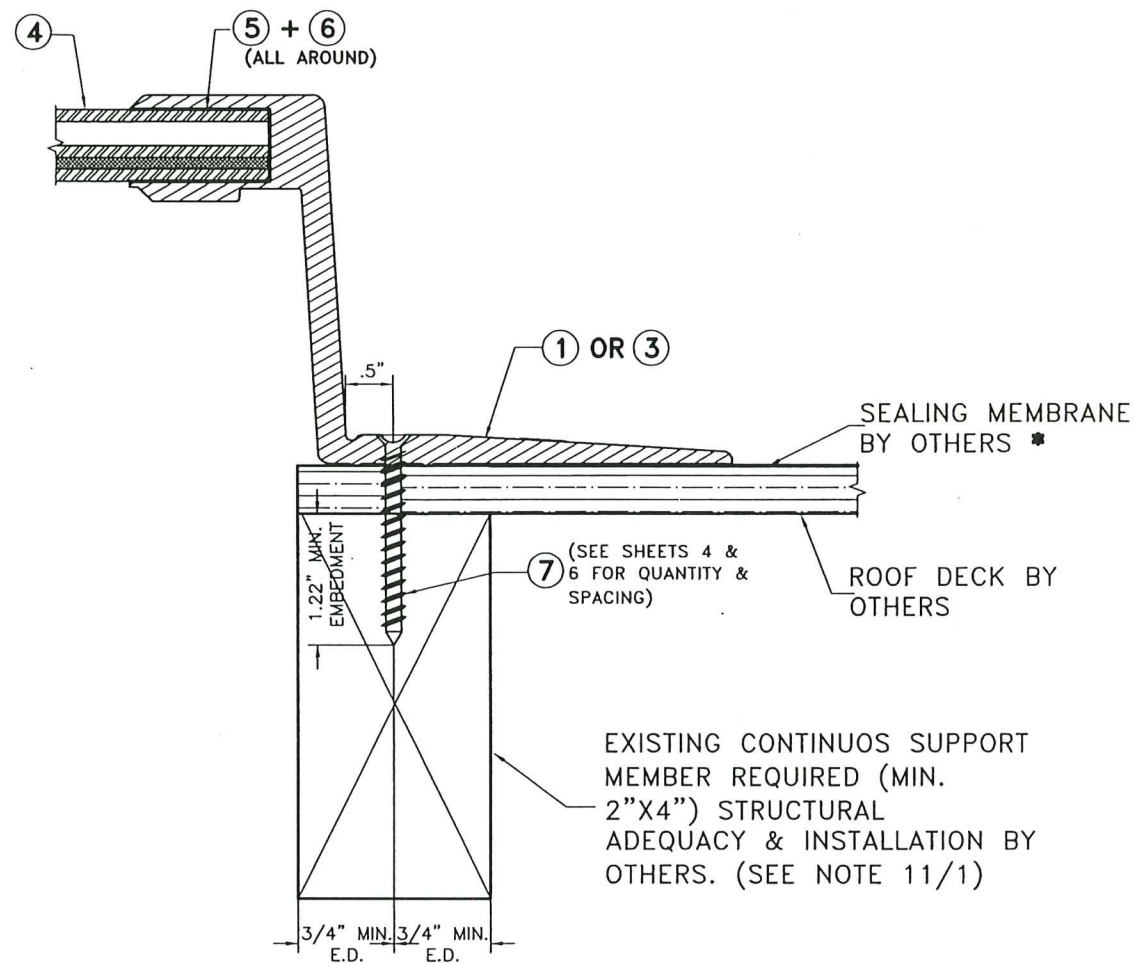
W.H
DRAWN BY

07/03/2023
DATE

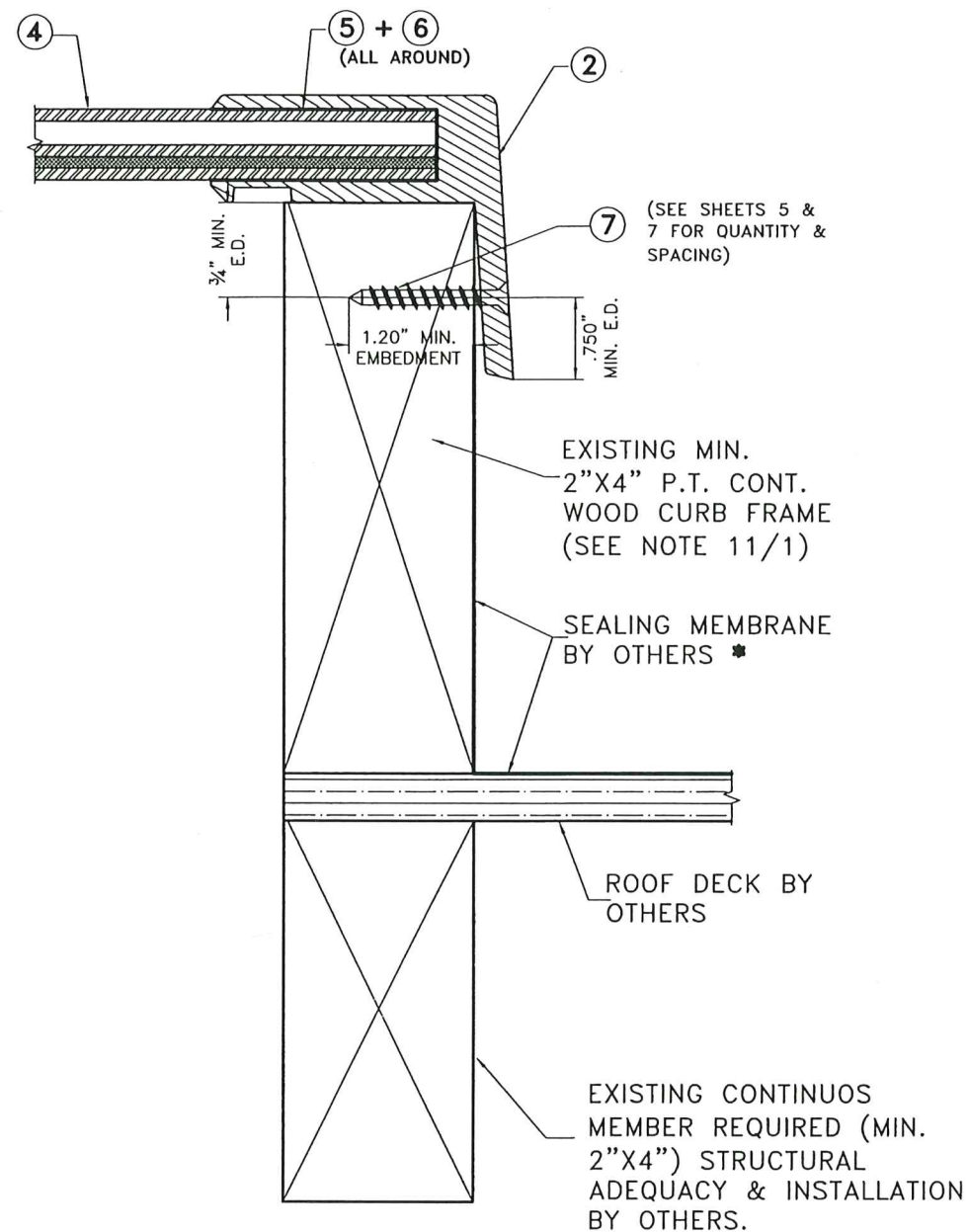
23-063
DRAWING No

SHEET 7A OF 8

FLORIDA BUILDING CODE (HIGH VELOCITY HURRICANE ZONE)



**CONNECTION DETAIL FOR FRAME
CASES 1 & 3 (SSF)**



**CONNECTION DETAIL FOR FRAME
CASES 2 & 4 (CAP)**

*** NOTES:**

1. ALL ROOFING DETAILS SHALL COMPLY WITH SECTIONS 1512 THRU 1525 OF THE FLORIDA BUILDING CODE.

CONNECTION DETAILS

SCALE: 1/2" = 1"

FLORIDA BUILDING CODE (HIGH VELOCITY HURRICANE ZONE)

PRODUCT REVISED
as complying with the Florida
Building Code
Acceptance No _____
Expiration Date _____
By *Holly Adkins*
Miami Dade Product Control
MIAMI-DADE COUNTY

WALTER A. TILLIT JR.
LICENSE
No. 44167
STATE OF FLORIDA
PROFESSIONAL ENGINEER
P.E. SEAL/SIGNATURE/DATE

©2023 TILTECO, INC.
TILTECO INC.
TILLIT TESTING & ENGINEERING COMPANY
6355 N.W. 36th. St., Ste. 305, VIRGINIA GARDENS, FL 33166
Phone : (305)871-1530 . Fax : (305)871-1531
e-mail: tilteco@aol.com
CA-0006719
WALTER A. TILLIT Jr. P.E.
FLORIDA Lic. # 44167

SERIES SEAMLESS SELF-FLASHING GLAZED SKYLIGHT (SSF),
SERIES CURB-MOUNTED GLAZED SKYLIGHT (CAP) AND
SERIES CURB-MOUNTED GLAZED SKYLIGHT (CMC) LARGE
MISSILE IMPACT RESISTANT-INSULATED GLASS

V-TECH INDUSTRIES
5534 HARVEY WILSON DRIVE
HOUSTON, TEXAS 77020
PHONE: (866) 491-0843

REV. No	DESCRIPTION	DATE	REV. No	DESCRIPTION	DATE
1	OLD 20-139	07/03/2023	3	-	-
2	-	-	4	-	-

W.H
DRAWN BY
07/03/2023
DATE
23-063
DRAWING No
SHEET 8 OF 8